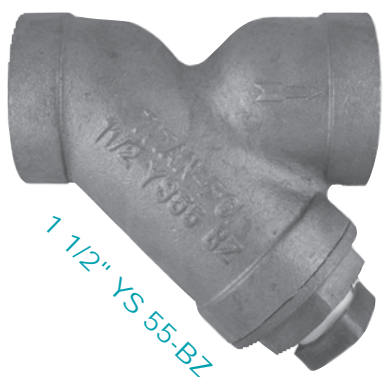


**TITAN****WYE STRAINER • THREADED & SOLDER ENDS****Class 125 • CAST BRONZE (C84400)**Models: **YS 55-BZ**

(Threaded Ends)

**YS 56-BZ**

(Solder Ends)

**ANSI Class 125****Size Range: 1/4" ~ 3"****WORKING PRESSURES & TEMPERATURE - NON-SHOCK**

ANSI 125 Class	YS 55-BZ	YS 56-BZ <sup>(1)</sup>
WOG (Water, Oil, Gas)	200 PSI @ 150 °F	200 PSI @ 100 °F
Saturated Steam	125 PSI @ 353 °F	Not Applicable
MAX Liquid	125 PSI @ 400 °F	125 PSI @ 400 °F

1. The internal working pressure rating for a solder joint strainer is dependent not only on the strainer, but also on the composition of the solder used for the joint. The internal working pressure ratings shown above for model YS 56-BZ are representative of using an alloy Sb5 95-5 tin-antimony solder. For other solder joints, please consult factory.

**Features:**

- HIGHLY ECONOMICAL STRAINER DESIGN
- SELF CLEANING TYPE
- EASILY REMOVABLE GASKETED SCREEN CAPS
- STRAIGHT THREADS ON CAP PERMIT EASY REMOVAL WHEN SCREEN MUST BE CLEANED  
ALSO HELPS TO ASSURE PROPER ALIGNMENT OF THE SCREEN WHEN REASSEMBLED
- PRECISION MACHINED SCREEN SEAT - ENABLES FINE FILTRATIONS
- STRAINER HAS LARGE OPEN AREA - MINIMUM 2.5 TIMES LARGER THAN CORRESPONDING PIPE
- TAPPED NPT BLOW-OFF
- DRAIN/BLOW-OFF CONNECTION FURNISHED WITH PLUG AS STANDARD
- HIGH PRESSURE ANSI CLASS 250 UNIT (YS 52-BZ) IS ALSO AVAILABLE

*Highly Economical Strainer Design, Ideal for  
HVAC, Commercial and Industrial Applications*



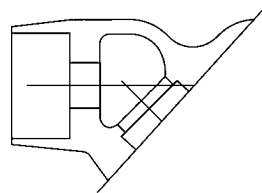
**TITAN FLOW CONTROL**  
LUMBERTON, NC USA

**WYE STRAINER**

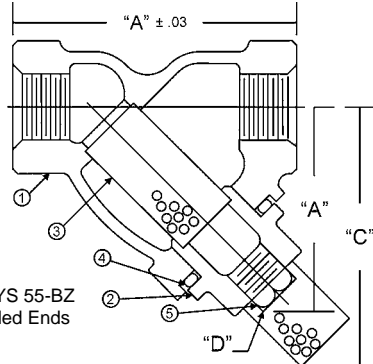
MODEL: YS 55-BZ  
Threaded Ends  
Cast Bronze

MODEL: YS 56-BZ  
Solder Ends  
Cast Bronze

ANSI  
Class 125



Model YS 56-BZ  
Solder Ends



Model YS 55-BZ  
Threaded Ends

**BILL OF MATERIALS**

No.	PART	YS 55-BZ & YS 56-BZ
1	Body	ASTM B584 Cast Bronze (C84400)
2	Cap	ASTM B584 Cast Bronze (C84400)
3	Screen*	Type 304 Stainless Steel
4	Gasket*	Teflon
5	Plug	ASTM B584 Cast Bronze (C84400)

*\*Recommended spare parts*

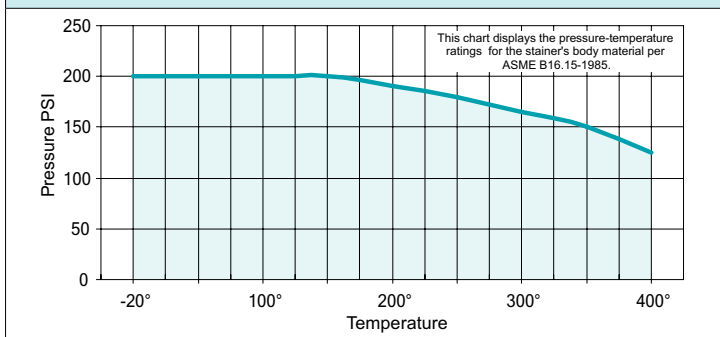
- A wide range of optional gasket materials are available.
- Optional wire mesh and perforated screens are available.

**DIMENSIONS:**

SIZE	in	1/4	3/8	1/2	3/4	1	1 1/4	1 1/2	2	2 1/2	3
	mm	8	10	15	20	25	32	40	50	65	80
A DIM. (YS 55) FACE TO FACE	in	2.50	2.50	2.563	3.063	3.25	4.438	4.875	5.25	6.875	7.875
	mm	64	64	65	78	83	113	124	133	175	200
A DIM. (YS 56) FACE TO FACE	in	2.0	2.375	3.125	4.125	4.938	5.688	6.688	8.281	9.75	11.375
	mm	51	60	79	105	125	144	170	210	248	289
B DIM. (YS 55) CTR. LINE - BOTTOM	in	1.75	1.938	2.031	2.375	2.438	3.563	3.75	4.75	5.625	6.75
	mm	44	49	52	60	62	90	95	121	143	171
B DIM. (YS 56) CTR. LINE - BOTTOM	in	1.563	1.75	1.938	2.281	2.797	3.188	3.813	4.75	6.125	7.5
	mm	40	44	49	58	71	81	97	121	156	191
C DIMENSION SCREEN REMOVAL	in	3.0	3.75	4.0	4.25	4.75	6.0	7.0	8.0	9.0	10.0
	mm	76	95	102	108	121	152	178	203	229	254
D DIMENSION NPT BLOW-OFF	in	1/8	1/8	1/4	3/8	1/2	1/2	3/4	1	1 1/4	1 1/2
	mm	6	6	8	10	15	15	20	25	32	40
ASSEMBLED WEIGHT (YS 55)	lb	< 0.5	< 0.5	0.5	1.0	1.5	3.0	4.0	5.5	9.0	15.5
	kg	< 0.2	< 0.2	0.2	0.5	0.7	1.4	1.8	2.5	4.1	7.0
ASSEMBLED WEIGHT (YS 56)	lb	< 0.5	< 0.5	0.5	1.0	1.5	2.0	3.5	5.5	9.5	15.5
	kg	< 0.2	< 0.2	0.2	0.5	0.7	0.9	1.6	2.5	4.3	7.0
Flow Coefficient	C <sub>v</sub>	0.7	2	8	15	22	38	42	70	110	160

Dimensions, weights, and flow coefficients are for reference only. When required, always request certified drawing.

**PRESSURE-TEMPERATURE • ASTM B584 • ANSI CLASS 125 (1)**



1. Pressure-Temperature chart only applies to model YS 55-BZ (threaded ends).
2. The internal working pressure rating for a solder joint strainer is dependent not only on the strainer, but also on the composition of the solder used for the joint. The working pressure ratings shown for model YS 56-BZ are representative of using an alloy Sb5 95-5 tin-antimony solder. For other solder joints, please consult factory.

**TESTING:** Strainers are individually, hydrostatically tested at 1.5 x the 100 °F rating, rounded off to the next higher 25 PSI measurement .

**WORKING PRESSURES & TEMPERATURE - NON-SHOCK**

ANSI Class 125	YS 55-BZ	YS 56-BZ (2)
WOG (Water, Oil, Gas)	200 PSI @ 150 °F	200 PSI @ 150 °F
Saturated Steam	125 PSI @ 353 °F	Not Applicable
Max Liquid	125 PSI @ 400 °F	125 PSI @ 400 °F

**STANDARD SCREEN SELECTIONS**

Sizes	Water Service	Open Area	Steam	Open Area
1/4" ~ 2"	20 mesh	51.8%	30 mesh	44.8%
2 1/2" ~ 3"	1/16 (.0625)	41%	3/64 (.045)	36%

A wide range of wire mesh and perforated screens are available. C/F.

**REFERENCED STANDARDS**

Cast Bronze Threaded Fittings	ANSI B16.15
Cast Copper Alloy Solder Joint Pressure Fittings	ANSI B16.18
Copper Alloy Braze-Joint Pressure Fittings	ANSI B16.50

Ordering Code: \_\_\_\_\_ Size: \_\_\_\_\_

Customer/Project: \_\_\_\_\_

Inq./P.O. No.: \_\_\_\_\_

Titan Order No.: \_\_\_\_\_

Certified By: \_\_\_\_\_ Date: \_\_\_\_\_

**Engineering Specification Submittal**

Titan FCI makes every effort to ensure the information presented on our literature accurately reflects exact product specifications. However, as changes occur, there may short-term differences between actual product specifications and the data on our literature. Titan FCI reserves the right to make specification changes to improve our products without prior notification.

**WYE STRAINER • YS 55-BZ & YS 56-BZ**

Size	Model Number	Description	Drawing No.